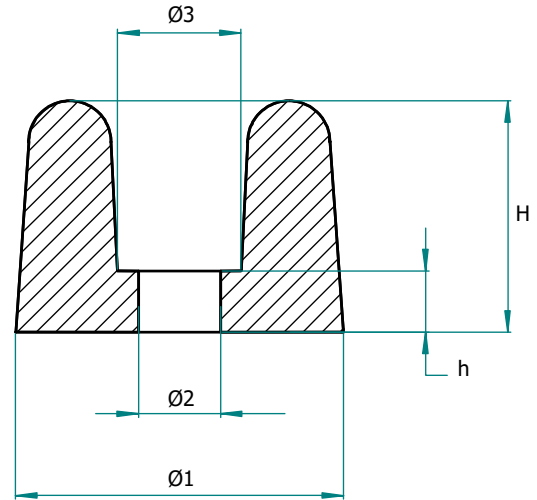


PUFFER
BUFFER



ANSCHRAUBPUFFER
SCREW-TYPE BUFFER



Artikel Nr. <i>Part no.</i>	Gesamt Ø <i>Total Ø</i>	Sockelhöhe <i>Pedestal height</i>	Loch Ø <i>Hole Ø</i>	Gesamthöhe <i>Total height</i>	Innen Ø <i>Inner Ø</i>	Material <i>Material</i>	
	Ø1	h	Ø2	H	Ø3		
1746	13,5	5,0	3,0	9,5	6,7	NR-SBR	
1745	14,6	3,0	5,2	8,5	10,0	NR-SBR	
1747	18,0	4,5	4,6	11,0	9,3	NR-SBR	
1744	22,0	4,5	5,0	11,0	9,7	NR-SBR	
1743	29,5	10,0	4,0	20,0	7,8	EB	

Information:

NR-SBR = NR-SBR, schwarz ; EB = EPDM, schwarz

Toleranzen nach (DIN ISO 3302, Teil 2 M2F)
Irrtum vorbehalten

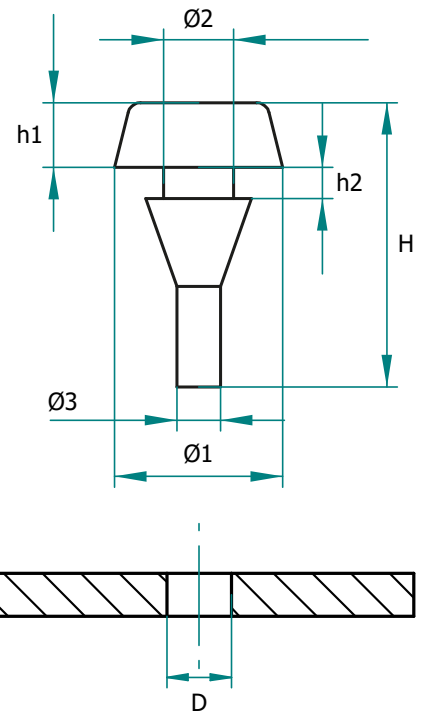
Information:

NR-SBR = NR-SBR, black ; EB = EPDM, black

General measuring tolerances (DIN ISO 3302, section 2 M2F)
Errors excepted



PUFFER MIT ZAPFEN
BUFFER WITH PIN



Artikel Nr. <i>Part no.</i>	Kopf Ø <i>Head Ø</i>	Kopfhöhe <i>Head height</i>	Hals Ø <i>Neck Ø</i>	Spalt <i>Gap</i>	Zapfen Ø <i>Tap Ø</i>	Gesamthöhe <i>Total height</i>	Material <i>Material</i>	
	Ø1	h1	Ø2	h2	Ø3	H		
1286	3,0	1,0	1,5	2,0	1,0	7,0	EB	
1265	4,0	2,4	1,5	1,2	1,2	7,5	EB	
1242	4,7	2,2	2,3	0,7	2,0	9,3	EB	
1245	4,8	2,4	2,8	1,2	2,0	8,2	EB	
1252	4,8	4,0	2,8	1,2	2,0	11,0	EB	
1271	5,0	1,5	2,8	1,2	2,0	7,3	EB	
1267	5,0	1,5	2,8	1,2	2,0	13,3	EB	

Information:

EB = EPDM, schwarz

Toleranzen nach (DIN ISO 3302, Teil 2 M2F)
Irrtum vorbehalten

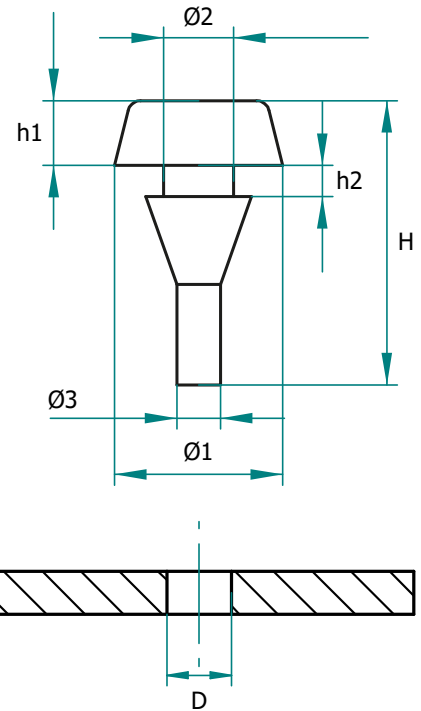
Information:

EB = EPDM, black

General measuring tolerances (DIN ISO 3302, section 2 M2F)
Errors excepted



PUFFER MIT ZAPFEN
BUFFER WITH PIN



Artikel Nr. <i>Part no.</i>	Kopf Ø <i>Head Ø</i>	Kopfhöhe <i>Head height</i>	Hals Ø <i>Neck Ø</i>	Spalt <i>Gap</i>	Zapfen Ø <i>Tap Ø</i>	Gesamthöhe <i>Total height</i>	Material <i>Material</i>	
	Ø1	h1	Ø2	h2	Ø3	H		
1272	5,0	1,8	2,8	1,5	2,0	13,3	EB	
1276	5,0	1,8	3,0	1,5	2,0	13,3	EB	
1253	5,5	5,0	2,5	2,5	1,8	15,0	EB	
1266	6,0	1,0	3,0	3,0	2,5	10,4	EB	
1326	6,0	3,0	2,5	2,5	1,7	10,5	EB	
1243	6,0	3,1	2,7	0,7	2,0	10,3	EB	
1262	6,0	4,1	2,5	1,5	2,0	10,5	EB	

Information:

EB = EPDM, schwarz

Toleranzen nach (DIN ISO 3302, Teil 2 M2F)
Irrtum vorbehalten

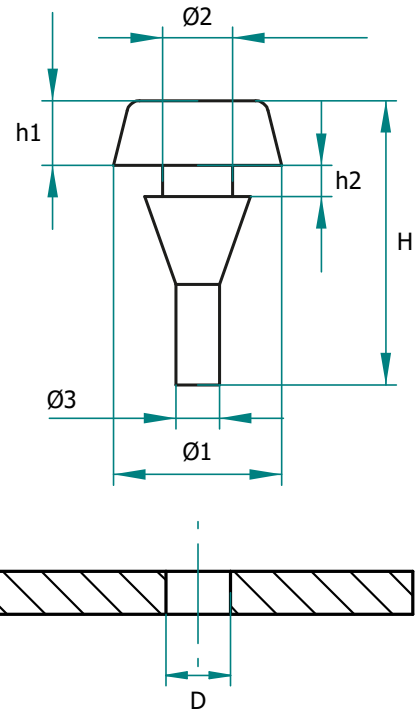
Information:

EB = EPDM, black

General measuring tolerances (DIN ISO 3302, section 2 M2F)
Errors excepted



PUFFER MIT ZAPFEN
BUFFER WITH PIN



Artikel Nr. <i>Part no.</i>	Kopf Ø <i>Head Ø</i>	Kopfhöhe <i>Head height</i>	Hals Ø <i>Neck Ø</i>	Spalt <i>Gap</i>	Zapfen Ø <i>Tap Ø</i>	Gesamthöhe <i>Total height</i>	Material <i>Material</i>	
	Ø1	h1	Ø2	h2	Ø3	H		
1278	6,5	4,7	2,3	0,6	2,0	12,2	EB	
1282	6,7	6,0	3,2	2,0	3,0	16,1	EB	
1295	7,0	2,5	3,7	3,0	3,1	12,2	EB	
1290	7,0	3,0	3,7	3,0	3,1	12,7	EB	
1285	7,0	3,2	3,8	1,0	2,0	9,3	EB	
1291	7,0	3,2	3,8	1,0	2,0	15,5	EB	
1277	7,0	3,5	3,7	3,0	3,2	11,5	EB	

Information:

EB = EPDM, schwarz

Toleranzen nach (DIN ISO 3302, Teil 2 M2F)
Irrtum vorbehalten

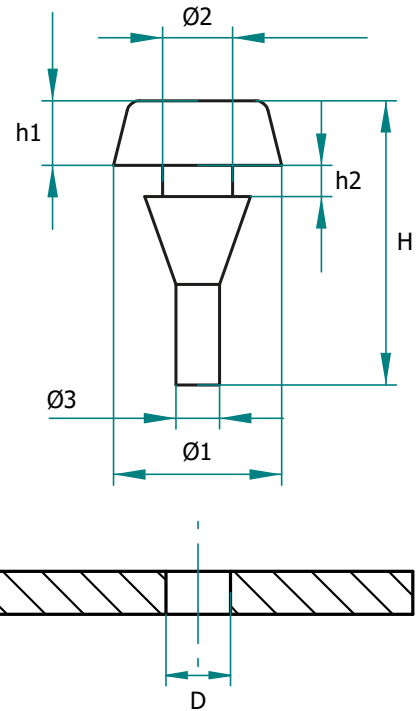
Information:

EB = EPDM, black

General measuring tolerances (DIN ISO 3302, section 2 M2F)
Errors excepted



PUFFER MIT ZAPFEN
BUFFER WITH PIN



Artikel Nr. <i>Part no.</i>	Kopf Ø <i>Head Ø</i>	Kopfhöhe <i>Head height</i>	Hals Ø <i>Neck Ø</i>	Spalt <i>Gap</i>	Zapfen Ø <i>Tap Ø</i>	Gesamthöhe <i>Total height</i>	Material <i>Material</i>	
	Ø1	h1	Ø2	h2	Ø3	H		
1268	7,0	7,0	2,8	2,4	2,1	18,1	EB	
1275	7,0	7,0	3,5	2,5	3,0	17,0	EB	
1287	7,8	2,3	3,5	1,0	2,2	8,8	EB	
1240	7,8	5,5	4,0	2,5	3,0	18,5	EB	
1256	7,8	5,5	4,0	2,5	3,0	37,8	EB	
1321	7,8	6,5	4,1	2,5	3,1	19,5	EB	
1283	8,0	2,0	4,0	2,5	3,0	14,7	EB	

Information:
EB = EPDM, schwarz

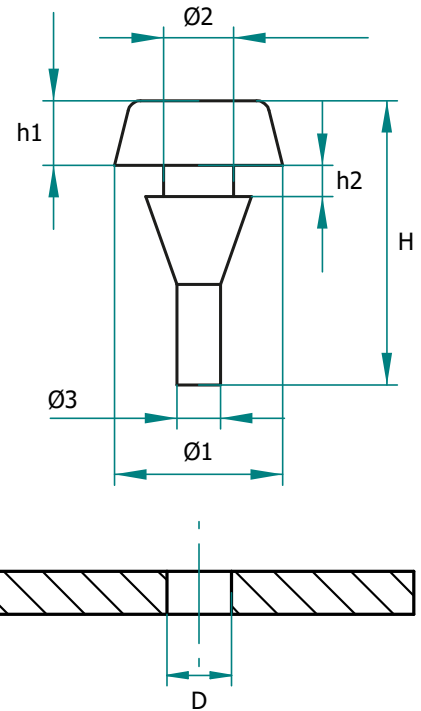
Toleranzen nach (DIN ISO 3302, Teil 2 M2F)
Irrtum vorbehalten

Information:
EB = EPDM, black

General measuring tolerances (DIN ISO 3302, section 2 M2F)
Errors excepted



PUFFER MIT ZAPFEN
BUFFER WITH PIN



Artikel Nr. <i>Part no.</i>	Kopf Ø <i>Head Ø</i>	Kopfhöhe <i>Head height</i>	Hals Ø <i>Neck Ø</i>	Spalt <i>Gap</i>	Zapfen Ø <i>Tap Ø</i>	Gesamthöhe <i>Total height</i>	Material <i>Material</i>	
	Ø1	h1	Ø2	h2	Ø3	H		
1329	8,0	2,5	3,5	1,2	2,2	9,4	EB	
1296	8,0	2,6	3,2	1,5	2,1	12,9	EB	
1250	8,0	3,0	3,2	1,5	2,0	13,3	EB	
1284	8,0	3,2	3,5	1,2	2,4	9,7	EB	
1288	8,0	4,0	3,5	1,0	2,3	11,0	EB	
1270	8,0	4,8	4,0	2,5	3,0	17,5	EB	
1260	8,0	5,0	3,2	1,5	2,1	16,0	EB	

Information:

EB = EPDM, schwarz

Toleranzen nach (DIN ISO 3302, Teil 2 M2F)
Irrtum vorbehalten

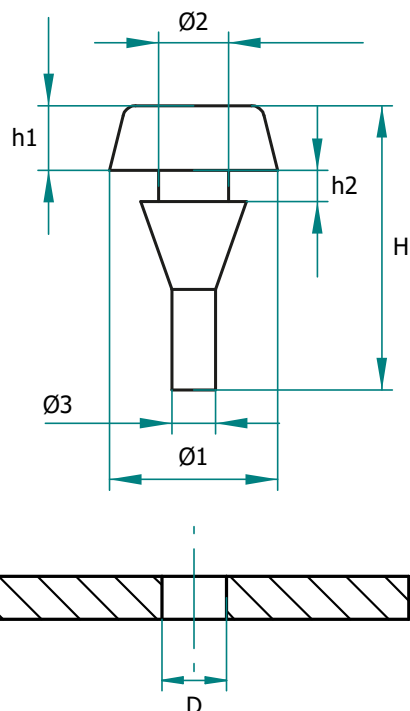
Information:

EB = EPDM, black

General measuring tolerances (DIN ISO 3302, section 2 M2F)
Errors excepted



PUFFER MIT ZAPFEN
BUFFER WITH PIN



Artikel Nr. <i>Part no.</i>	Kopf Ø <i>Head Ø</i>	Kopfhöhe <i>Head height</i>	Hals Ø <i>Neck Ø</i>	Spalt <i>Gap</i>	Zapfen Ø <i>Tap Ø</i>	Gesamthöhe <i>Total height</i>	Material <i>Material</i>	
	Ø1	h1	Ø2	h2	Ø3	H		
1249	8,0	5,3	4,0	2,4	2,9	17,9	EB	
1241	8,0	6,0	4,0	3,0	3,4	19,0	EB	
1281	8,0	7,0	4,0	2,0	3,0	16,7	EB	
1269	8,0	7,0	4,0	2,5	3,0	19,7	EB	
1304	8,5	2,0	5,0	3,0	3,0	10,9	EB	
1273	8,7	5,0	3,6	1,4	2,6	15,1	EB	
1300	10,0	4,0	5,5	1,0	3,1	14,5	EB	

Information:

EB = EPDM, schwarz

Toleranzen nach (DIN ISO 3302, Teil 2 M2F)
Irrtum vorbehalten

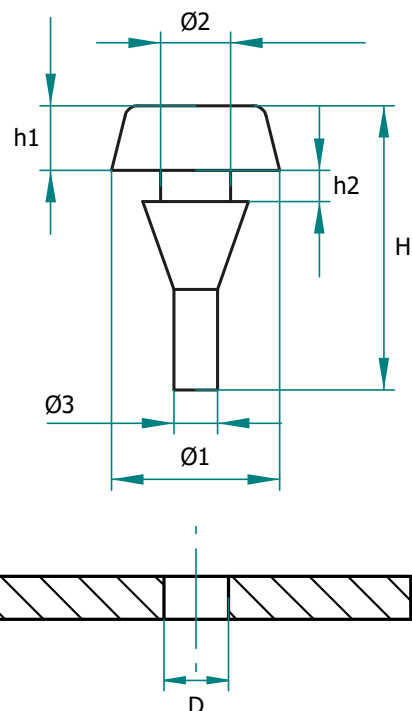
Information:

EB = EPDM, black

General measuring tolerances (DIN ISO 3302, section 2 M2F)
Errors excepted



PUFFER MIT ZAPFEN
BUFFER WITH PIN



Artikel Nr. <i>Part no.</i>	Kopf Ø <i>Head Ø</i>	Kopfhöhe <i>Head height</i>	Hals Ø <i>Neck Ø</i>	Spalt <i>Gap</i>	Zapfen Ø <i>Tap Ø</i>	Gesamthöhe <i>Total height</i>	Material <i>Material</i>	
	Ø1	h1	Ø2	h2	Ø3	H		
1301	10,0	4,0	5,5	2,0	3,1	15,4	EB	
1274	10,0	6,8	4,0	1,4	3,0	18,3	EB	
1264	10,3	5,0	3,7	1,5	2,6	14,9	EB	
1261	10,3	7,2	3,7	0,7	2,5	16,2	EB	
1259	10,3	8,4	3,7	0,6	2,5	17,3	EB	
1320	12,0	4,5	4,0	2,5	3,0	18,4	EB	
1336	13,0	4,7	6,0	1,5	4,8	13,8	EB	

Information:

EB = EPDM, schwarz

Toleranzen nach (DIN ISO 3302, Teil 2 M2F)
Irrtum vorbehalten

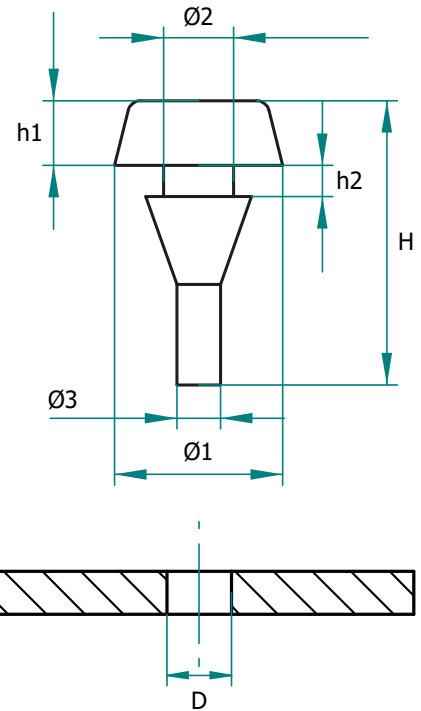
Information:

EB = EPDM, black

General measuring tolerances (DIN ISO 3302, section 2 M2F)
Errors excepted



PUFFER MIT ZAPFEN
BUFFER WITH PIN



Artikel Nr. <i>Part no.</i>	Kopf Ø <i>Head Ø</i>	Kopfhöhe <i>Head height</i>	Hals Ø <i>Neck Ø</i>	Spalt <i>Gap</i>	Zapfen Ø <i>Tap Ø</i>	Gesamthöhe <i>Total height</i>	Material <i>Material</i>	
	Ø1	h1	Ø2	h2	Ø3	H		
1339	13,0	6,5	6,0	1,5	4,8	15,8	EB	
1340	13,0	7,0	6,0	2,5	4,8	19,0	EB	
1337	13,0	7,5	4,6	1,2	4,5	20,0	EB	
1343	13,0	12,0	5,5	3,0	4,4	26,2	EB	
1317	14,0	5,0	7,5	1,3	5,0	16,5	EB	
1344	14,2	6,5	6,0	1,9	4,0	23,4	EB	
1338	14,2	8,7	6,0	1,5	4,0	25,6	EB	

Information:

EB = EPDM, schwarz

Toleranzen nach (DIN ISO 3302, Teil 2 M2F)
Irrtum vorbehalten

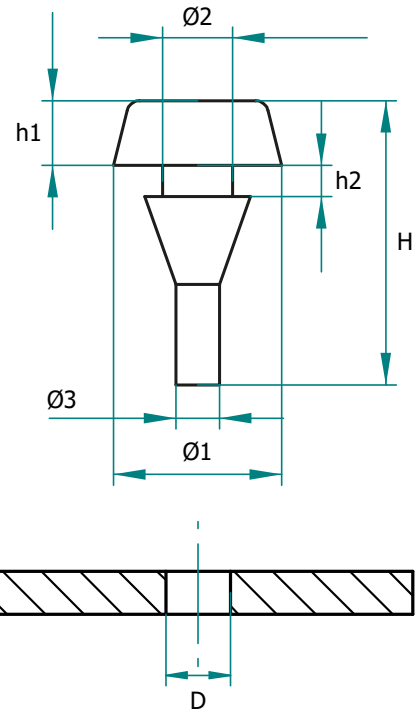
Information:



EB = EPDM, black

General measuring tolerances (DIN ISO 3302, section 2 M2F)
Errors excepted



PUFFER MIT ZAPFEN
BUFFER WITH PIN



Artikel Nr. <i>Part no.</i>	Kopf Ø <i>Head Ø</i>	Kopfhöhe <i>Head height</i>	Hals Ø <i>Neck Ø</i>	Spalt <i>Gap</i>	Zapfen Ø <i>Tap Ø</i>	Gesamthöhe <i>Total height</i>	Material <i>Material</i>	
	Ø1	h1	Ø2	h2	Ø3	H		
1341	17,5	13,3	8,0	0,8	3,9	25,2	EB	
1258	7,0	3,5	3,7	1,6	3,2	10,2	EB	

Information:

EB = EPDM, schwarz

Toleranzen nach (DIN ISO 3302, Teil 2 M2F)
Irrtum vorbehalten

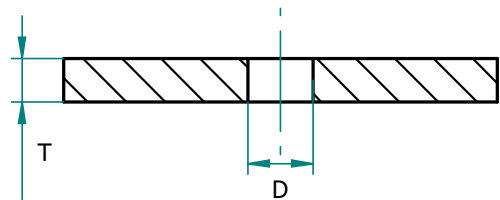
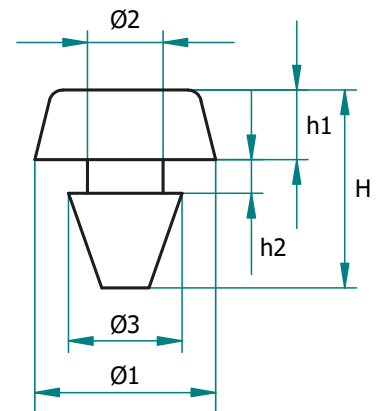
Information:

EB = EPDM, black

General measuring tolerances (DIN ISO 3302, section 2 M2F)
Errors excepted



PUFFER OHNE ZAPFEN
BUFFER WITHOUT PIN



Artikel Nr. <i>Part no.</i>	Kopf Ø <i>Head Ø</i>	Kopfhöhe <i>Head height</i>	Hals Ø <i>Neck Ø</i>	Spalt <i>Gap</i>	Konus Ø <i>Cone Ø</i>	Gesamthöhe <i>Total height</i>	Material <i>Material</i>	
	Ø1	h1	Ø2	h2	Ø3	H		
1330	5,5	7,0	3,5	2,5	5,5	12,5	EB	
1244	6,0	1,8	3,0	1,7	5,0	5,4	EB	
1246	6,0	2,1	3,0	2,2	5,0	7,6	EB	
1325	7,0	3,5	5,2	1,4	7,8	6,9	EB	
1350	7,4	2,5	3,5	2,5	5,7	7,0	EB	
1347	7,5	4,1	4,0	6,3	5,0	12,6	EB	
1346	7,8	7,0	4,0	5,0	4,8	14,2	EB	

Information:

EB = EPDM, schwarz

Toleranzen nach (DIN ISO 3302, Teil 2 M2F)
Irrtum vorbehalten

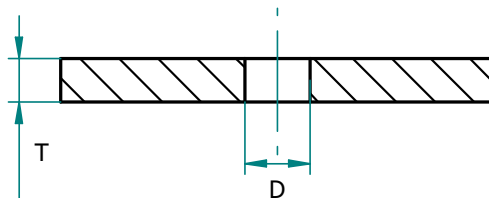
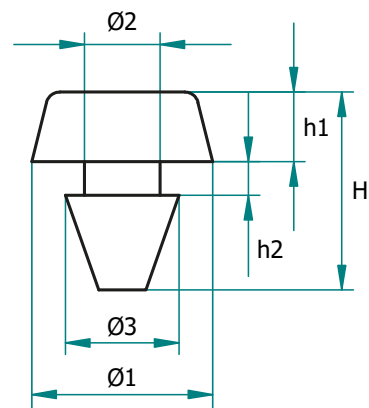
Information:

EB = EPDM, black

General measuring tolerances (DIN ISO 3302, section 2 M2F)
Errors excepted



PUFFER OHNE ZAPFEN
BUFFER WITHOUT PIN



Artikel Nr. <i>Part no.</i>	Kopf Ø <i>Head Ø</i>	Kopfhöhe <i>Head height</i>	Hals Ø <i>Neck Ø</i>	Spalt <i>Gap</i>	Konus Ø <i>Cone Ø</i>	Gesamthöhe <i>Total height</i>	Material <i>Material</i>	
	Ø1	h1	Ø2	h2	Ø3	H		
1306	9,0	1,0	4,5	2,2	5,5	7,5	EB	
1308	9,0	2,1	4,5	2,2	5,5	8,6	EB	
1299	9,0	5,0	5,0	1,5	7,0	13,6	EB	
1310	9,5	2,5	4,5	1,2	7,5	7,7	EB	
1322	9,5	2,5	5,5	1,2	7,5	7,7	EB	
1332	9,5	2,7	5,8	2,0	8,0	7,0	EB	
1303	9,8	2,0	5,6	2,5	7,5	9,5	EB	

Information:

EB = EPDM, schwarz

Toleranzen nach (DIN ISO 3302, Teil 2 M2F)
Irrtum vorbehalten

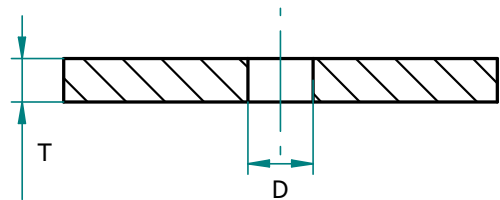
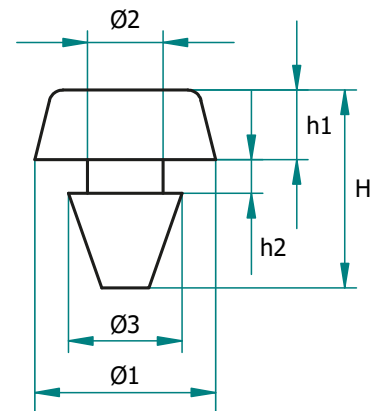
Information:

EB = EPDM, black

General measuring tolerances (DIN ISO 3302, section 2 M2F)
Errors excepted



PUFFER OHNE ZAPFEN
BUFFER WITHOUT PIN



Artikel Nr. <i>Part no.</i>	Kopf Ø <i>Head Ø</i>	Kopfhöhe <i>Head height</i>	Hals Ø <i>Neck Ø</i>	Spalt <i>Gap</i>	Konus Ø <i>Cone Ø</i>	Gesamthöhe <i>Total height</i>	Material <i>Material</i>	
	Ø1	h1	Ø2	h2	Ø3	H		
1311	9,8	3,0	5,6	2,5	7,5	10,5	EB	
1309	10,0	3,2	6,4	1,1	7,8	6,5	EB	
1334	11,7	4,5	7,8	2,0	10,0	9,4	EB	
1313	11,8	5,5	5,5	2,9	7,4	11,0	EB	
1312	12,0	2,0	5,0	2,0	6,5	6,0	EB	
1314	12,0	4,2	6,0	3,0	10,0	9,3	EB	
1323	12,0	5,5	5,5	5,0	7,3	13,1	EB	

Information:

EB = EPDM, schwarz

Toleranzen nach (DIN ISO 3302, Teil 2 M2F)
Irrtum vorbehalten

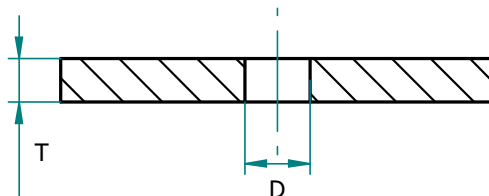
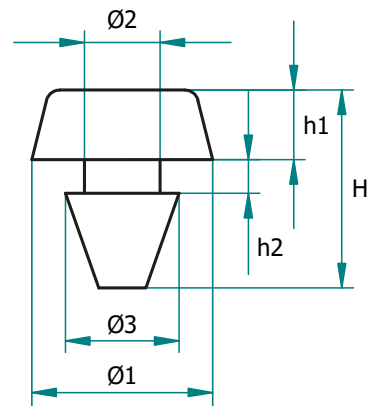
Information:

EB = EPDM, black

General measuring tolerances (DIN ISO 3302, section 2 M2F)
Errors excepted



PUFFER OHNE ZAPFEN
BUFFER WITHOUT PIN



Artikel Nr. <i>Part no.</i>	Kopf Ø <i>Head Ø</i>	Kopfhöhe <i>Head height</i>	Hals Ø <i>Neck Ø</i>	Spalt <i>Gap</i>	Konus Ø <i>Cone Ø</i>	Gesamthöhe <i>Total height</i>	Material <i>Material</i>	
	Ø1	h1	Ø2	h2	Ø3	H		
1319	12,5	3,0	6,0	2,0	8,3	12,0	EB	
1318	13,0	3,0	7,0	1,5	9,0	9,7	EB	
1298	13,0	3,5	5,0	1,5	7,0	12,0	EB	
1316	14,0	5,0	7,5	1,5	10,0	11,1	EB	
1315	14,0	5,0	7,5	2,0	10,0	12,1	EB	
1345	15,0	5,0	10,2	1,5	13,0	9,6	EB	

Information:

EB = EPDM, schwarz

Toleranzen nach (DIN ISO 3302, Teil 2 M2F)
Irrtum vorbehalten

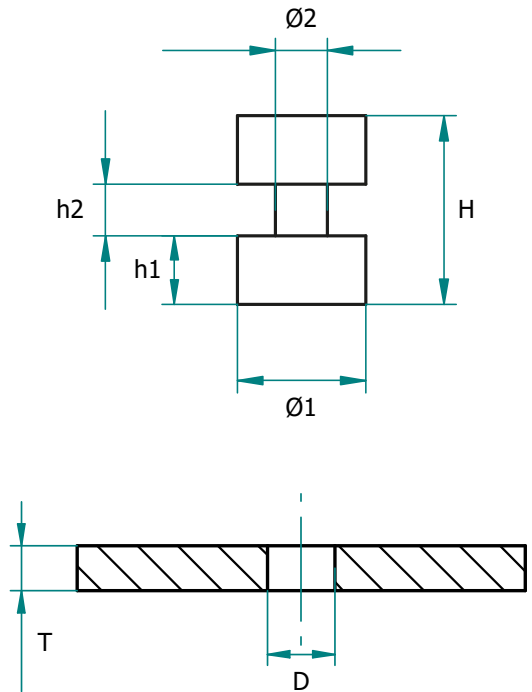
Information:

EB = EPDM, black

General measuring tolerances (DIN ISO 3302, section 2 M2F)
Errors excepted



PUFFER SONDERFORM
BUFFER SPECIAL FORM



Artikel Nr. <i>Part no.</i>	Kopf Ø <i>Head Ø</i>	Kopfhöhe <i>Head height</i>	Hals Ø <i>Neck Ø</i>	Spalt <i>Gap</i>	Gesamthöhe <i>Total height</i>	Material <i>Material</i>	
	Ø1	h1	Ø2	h2	H		
1294	3,7	2,0	2,5	1,5	5,5	EB	
1328	5,2	1,5	3,0	2,4	5,4	EB	

Information:

EB = EPDM, schwarz

Toleranzen nach (DIN ISO 3302, Teil 2 M2F)
Irrtum vorbehalten

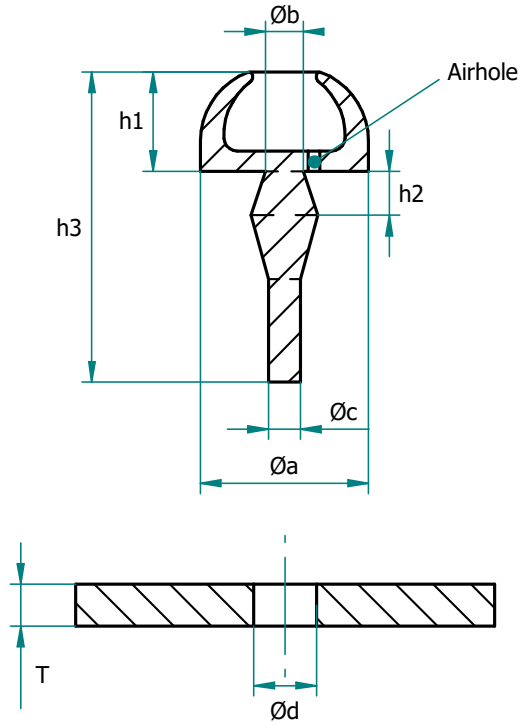
Information:

EB = EPDM, black

General measuring tolerances (DIN ISO 3302, section 2 M2F)
Errors excepted



SOFTPUFFER - FORM 1
SOFTBUFFER - SHAPE 1



Artikel Nr. <i>Part no.</i>	Kopf \varnothing <i>Head \varnothing</i>	Kopfhöhe <i>Head height</i>	Hals \varnothing <i>Neck \varnothing</i>	Spalt <i>Gap</i>	Zapfen \varnothing <i>Tap \varnothing</i>	Gesamthöhe <i>Total height</i>		Federweg <i>pitch of spring</i>	T/D <i>T/D</i>	T/D <i>T/D</i>	Material <i>Material</i>	
	a	h1	b	h2	$\varnothing c$	h3	$\varnothing d$					
1279	10,0	6,0	2,5	1 - 2,5	2,0	18,5	-	$\approx 4,0$	1 / 2,2	2,5 / 2,5	EB	
1280	14,5	10,0	3,8	1 - 2,5	3,0	23,5	-	$\approx 7,5$	1 / 3,3	2,5 / 3,5	EB	

Information:

EB = EPDM, schwarz

Toleranzen nach (DIN ISO 3302, Teil 2 M2F)
Irrtum vorbehalten

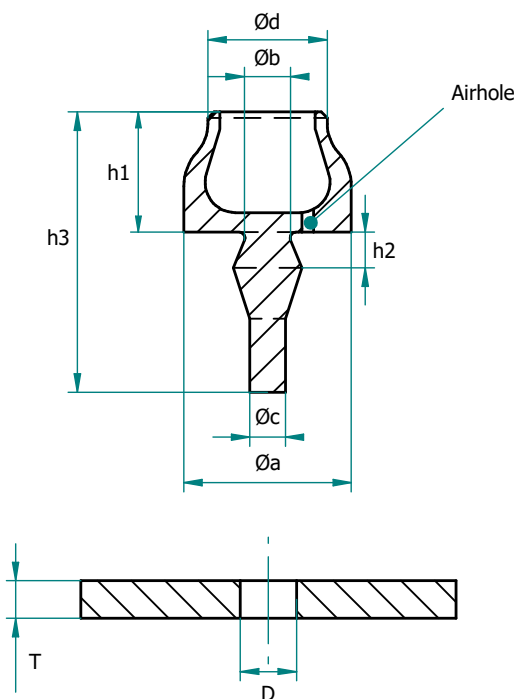
Information:

EB = EPDM, black

General measuring tolerances (DIN ISO 3302, section 2 M2F)
Errors excepted



SOFTPUFFER - FORM 2
SOFTBUFFER - SHAPE 2



Artikel Nr. Part no.	Kopf \varnothing Head \varnothing	Kopfhöhe Head height	Hals \varnothing Neck \varnothing	Spalt Gap	Zapfen \varnothing Tap \varnothing	Gesamthöhe Total height		Federweg pitch of spring	T/D T/D	T/D T/D	Material Material	
	a	h1	b	h2	$\varnothing c$	h3	$\varnothing d$					
1351	8,0	5,0	2,5	1 - 3,0	2,0	19,0	6,5	$\approx 2,7$	1 / 2,5	3 / 3,0	EB	
1352	11,0	7,0	3,2	1 - 3,0	2,8	21,0	9,0	$\approx 3,8$	1 / 2,8	3 / 3,0	EB	
1353	14,0	10,0	3,8	1 - 3,0	3,0	23,3	10,0	$\approx 5,5$	1 / 3,8	3 / 4,0	EB	
1354	17,0	11,8	4,2	1 - 3,0	3,0	25,0	12,5	$\approx 6,5$	1 / 4,8	3 / 5,0	EB	
1355	20,5	14,0	5,1	2 - 4,0	3,7	29,6	15,3	$\approx 7,5$	2 / 5,5	4 / 6,5	EB	

Information:

EB = EPDM, schwarz

Toleranzen nach (DIN ISO 3302, Teil 2 M2F)
Irrtum vorbehalten

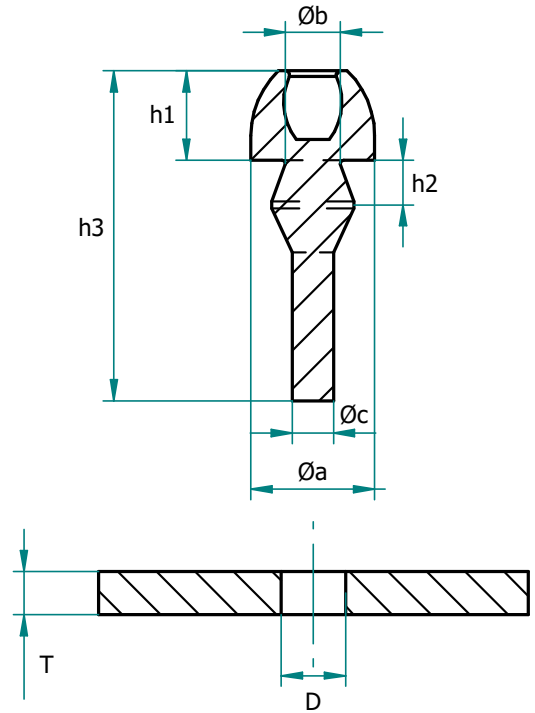
Information:

EB = EPDM, black

General measuring tolerances (DIN ISO 3302, section 2 M2F)
Errors excepted



SOFTPUFFER - FORM 3
SOFTBUFFER - SHAPE 3



Artikel Nr. <i>Part no.</i>	Kopf \varnothing <i>Head \varnothing</i>	Kopfhöhe <i>Head height</i>	Hals \varnothing <i>Neck \varnothing</i>	Spalt <i>Gap</i>	Zapfen \varnothing <i>Tap \varnothing</i>	Gesamthöhe <i>Total height</i>		Federweg <i>pitch of spring</i>	T/D <i>T/D</i>	T/D <i>T/D</i>	Material <i>Material</i>
	a	h1	b	h2	$\varnothing c$	h3	$\varnothing d$				
3501	9,2	6,5	4,0	1 - 3,0	3,2	24,0	-	$\approx 3,0$	1 / 4,0	3 / 4,5	EB



Information:

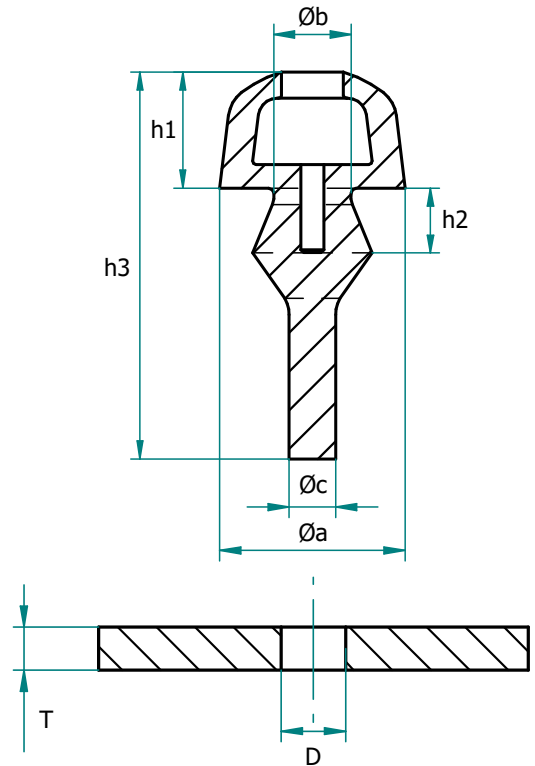
EB = EPDM, schwarz
ohne Lüftungsbohrung
Toleranzen nach (DIN ISO 3302, Teil 2 M2F)
Irrtum vorbehalten

Information:

EB = EPDM, black
without airhole
General measuring tolerances (DIN ISO 3302, section 2 M2F)
Errors excepted



SOFTPUFFER - FORM 4
SOFTBUFFER - SHAPE 4



Artikel Nr. <i>Part no.</i>	Kopf \varnothing <i>Head \varnothing</i>	Kopfhöhe <i>Head height</i>	Hals \varnothing <i>Neck \varnothing</i>	Spalt <i>Gap</i>	Zapfen \varnothing <i>Tap \varnothing</i>	Gesamthöhe <i>Total height</i>		Federweg <i>pitch of spring</i>	T/D <i>T/D</i>	T/D <i>T/D</i>	Material <i>Material</i>
	a	h1	b	h2	$\varnothing c$	h3	$\varnothing d$				
3502	12,0	7,5	5,0	1 - 3,0	3,0	25,0	-	$\approx 3,0$	1 / 5	3 / 5,5	EB

Information:

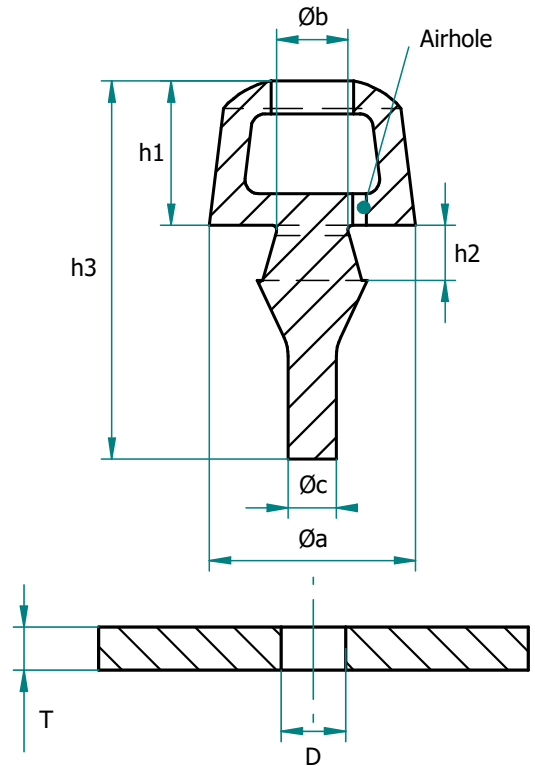
EB = EPDM, schwarz
ohne Lüftungsbohrung
Toleranzen nach (DIN ISO 3302, Teil 2 M2F)
Irrtum vorbehalten

Information:

EB = EPDM, black
without airhole
General measuring tolerances (DIN ISO 3302, section 2 M2F)
Errors excepted



SOFTPUFFER - FORM 5
SOFTBUFFER - SHAPE 5



Artikel Nr. <i>Part no.</i>	Kopf \varnothing <i>Head \varnothing</i>	Kopfhöhe <i>Head height</i>	Hals \varnothing <i>Neck \varnothing</i>	Spalt <i>Gap</i>	Zapfen \varnothing <i>Tap \varnothing</i>	Gesamthöhe <i>Total height</i>		Federweg <i>pitch of spring</i>	T/D <i>T/D</i>	T/D <i>T/D</i>	Material <i>Material</i>	
	a	h1	b	h2	$\varnothing c$	h3	$\varnothing d$					
3503	15,0	10,5	5,2	1 - 3,0	3,5	27,5	-	$\approx 5,0$	1 / 5	3 / 5,5	EB	
3504	18,5	13,5	5,5	1 - 3,0	3,5	36,0	-	$\approx 8,0$	1 / 5,5	3 / 6	EB	

Information:

EB = EPDM, schwarz

Toleranzen nach (DIN ISO 3302, Teil 2 M2F)
Irrtum vorbehalten

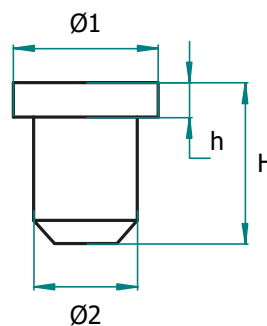
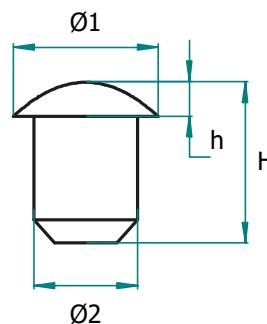
Information:

EB = EPDM, black

General measuring tolerances (DIN ISO 3302, section 2 M2F)
Errors excepted



GUMMISTOPFEN
RUBBER STOPS



Artikel Nr. <i>Part no.</i>	Kopf Ø <i>Head Ø</i>	Kopfhöhe <i>Head height</i>	Schaft Ø <i>Shaft Ø</i>	Gesamthöhe <i>Total height</i>	Material <i>Material</i>	
	Ø1	h	Ø2	H		
1659	5,3	2,0	3,0	5,0	EB	
1676	6,0	1,5	4,0	7,7	EB	
1666	6,0	2,0	4,0	4,7	EB	
1671	6,0	2,0	4,0	6,0	EB	
1707	6,0	2,7	3,3	10,6	EB	
1669	7,0	1,1	4,0	7,1	EB	
1664	7,4	2,4	4,5	7,0	EB	

Information:

EB = EPDM, schwarz

1) = mit Durchgangsloch

Toleranzen nach (DIN ISO 3302, Teil 2 M2F)

Irrtum vorbehalten

Information:

EB = EPDM, black

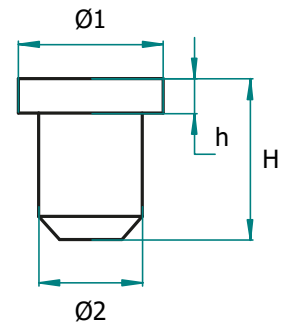
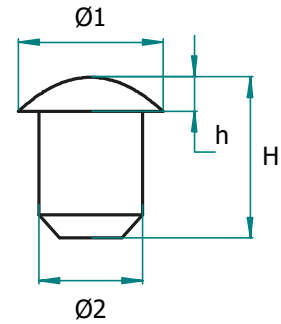
1) = with hole

General measuring tolerances (DIN ISO 3302, section 2 M2F)

Errors excepted



GUMMISTOPFEN
RUBBER STOPS



Artikel Nr. <i>Part no.</i>	Kopf Ø <i>Head Ø</i>	Kopfhöhe <i>Head height</i>	Schaft Ø <i>Shaft Ø</i>	Gesamthöhe <i>Total height</i>	Material <i>Material</i>	
	Ø1	h	Ø2	H		
1702	7,5	1,7	5,0	6,3	EB	
1723	8,5	3,0	7,1	7,5	EB	
1726	8,5	3,7	7,1	8,2	EB	
1722	8,5	4,6	7,2	9,0	EB	
1716 ¹⁾	9,5	2,0	6,0	7,0	EB	
1692	9,5	2,0	6,0	7,0	EB	
1677	9,5	2,0	7,2	8,0	EB	

Information:

EB = EPDM, schwarz

1) = mit Durchgangsloch

Toleranzen nach (DIN ISO 3302, Teil 2 M2F)

Irrtum vorbehalten

Information:

EB = EPDM, black

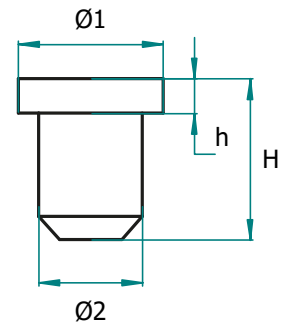
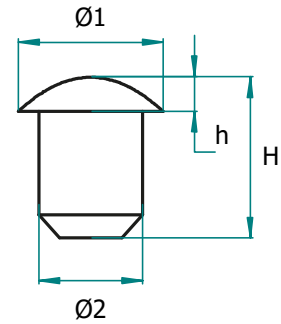
1) = with hole

General measuring tolerances (DIN ISO 3302, section 2 M2F)

Errors excepted



GUMMISTOPFEN
RUBBER STOPS



Artikel Nr. <i>Part no.</i>	Kopf Ø <i>Head Ø</i>	Kopfhöhe <i>Head height</i>	Schaft Ø <i>Shaft Ø</i>	Gesamthöhe <i>Total height</i>	Material <i>Material</i>	
	Ø1	h	Ø2	H		
1684	9,7	2,1	6,0	8,0	EB	
1690	9,8	3,1	7,5	8,0	EB	
1691 ¹⁾	10,0	2,6	6,2	10,5	EB	
1695	11,8	1,5	8,1	7,8	EB	
1668	12,0	1,5	8,0	10,3	EB	
1663	12,0	4,2	9,0	13,0	EB	
1709	12,8	3,1	7,1	8,5	EB	

Information:

EB = EPDM, schwarz

1) = mit Durchgangsloch

Toleranzen nach (DIN ISO 3302, Teil 2 M2F)

Irrtum vorbehalten

Information:

EB = EPDM, black

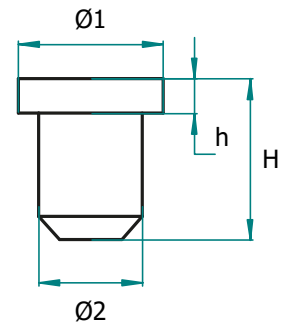
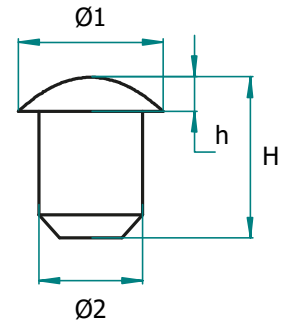
1) = with hole


General measuring tolerances (DIN ISO 3302, section 2 M2F)

Errors excepted



GUMMISTOPFEN
RUBBER STOPS



Artikel Nr. <i>Part no.</i>	Kopf Ø <i>Head Ø</i>	Kopfhöhe <i>Head height</i>	Schaft Ø <i>Shaft Ø</i>	Gesamthöhe <i>Total height</i>	Material <i>Material</i>	
	Ø1	h	Ø2	H		
1703	12,0	1,5	8,1	6,2	EB	

Information:

EB = EPDM, schwarz
1) = mit Durchgangsloch
Toleranzen nach (DIN ISO 3302, Teil 2 M2F)
Irrtum vorbehalten

Information:

EB = EPDM, black
1) = with hole
General measuring tolerances (DIN ISO 3302, section 2 M2F)
Errors excepted





A. Vogt GmbH & Co. KG

Weberstraße 7

D - 59757 Arnsberg

Germany

Fon +49 (2932) 9636-0

Fax +49 (2932) 9636-60

Mail info@gummivogt.de